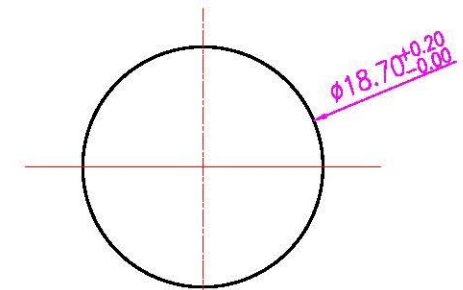
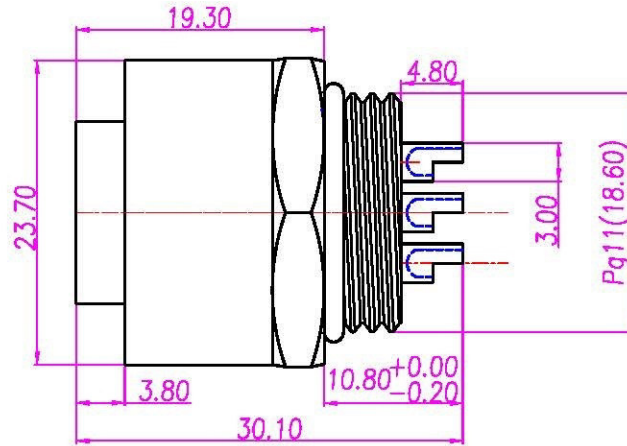
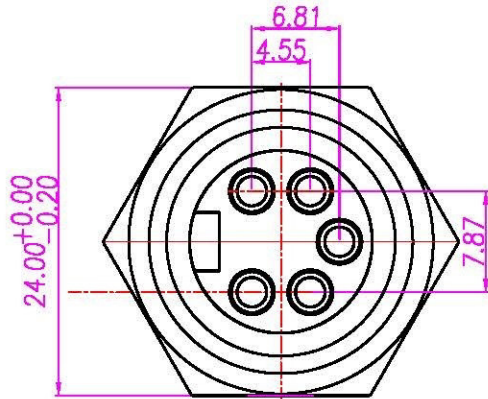


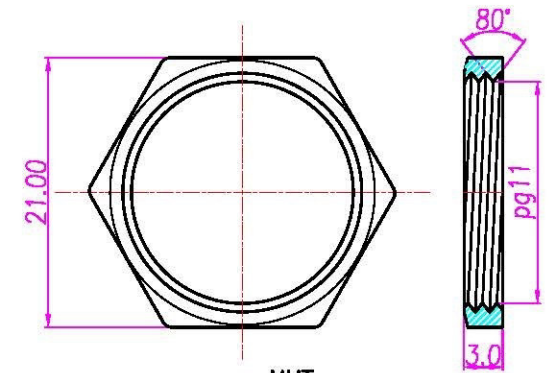
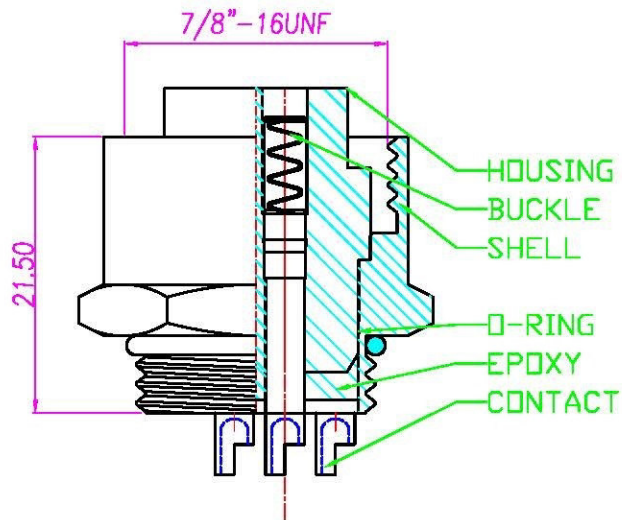
This document is the property of Nian-Yeong Corporation and is delivered on the express condition that it is not to be disclosed, reproduced or used, in whole or in part, for manufacture or sale by anyone other than Nian-Yeong Corporation without its prior consent, and that no right is granted to disclose or to use any information in this document.

CUSTOMER DRAWING

REV.	DESCRIPTION	APPVL. BY	DATE	ECN NO.
C	RELEASE	Fido Veng	08/09/10*	
D				
E				



PANEL CUT-OUT



NUT

- MATERIAL :**
 - 1-1. HOUSING : PET UL94V-0 ; COLOR : YELLOW
 - 1-2. CONTACT : BRASS
 - 1-3. BUCKLE : BRASS
 - 1-4. SHELL : BRASS
 - 1-5. O-RING : NBR(15.3*0.8) ; COLOR : BLACK
 - 1-6. Epoxy resin : EF400A&EF400B ; COLOR BLACK
- FINISH :**
 - 2-1. CONTACT : 30 MICRO INCHES MIN. GOLD PLATED
UNDER PLATE : NICKEL
 - 2-2. BUCKLE : MATTER-TIN PLATED
 - 2-3. SHELL : NICKEL PLATED
- ELECTRICAL SPECIFICATION :**
 - 3-1. Rated current : 20A
 - 3-2. Rated Voltage : 250V
 - 3-3. Water proof: IPX7
- Environmental :**
 - 4-1. Operation Temperature : -20°C~85°C

DRAW	KU	APPVL	UNIT	PP	TOLERANCE	All connectors		TITLE	防水型5PIN(F)杯口鍍板		SHEET		
CHECK			SCALE	1:1	X ±0.20 XX ±0.10 XXX ±0.05 XXXX ±0.03 ANGULA ±1°		www.allconnectors.de Tel: 0049 713 7003539 0154 5166666 Germany	info@allconnectors.de Fax: 0049 713 7003504 8000000000	PART NO.	WP-05F2-22	DWG NO.	QC2817	
												VERSION	A4